

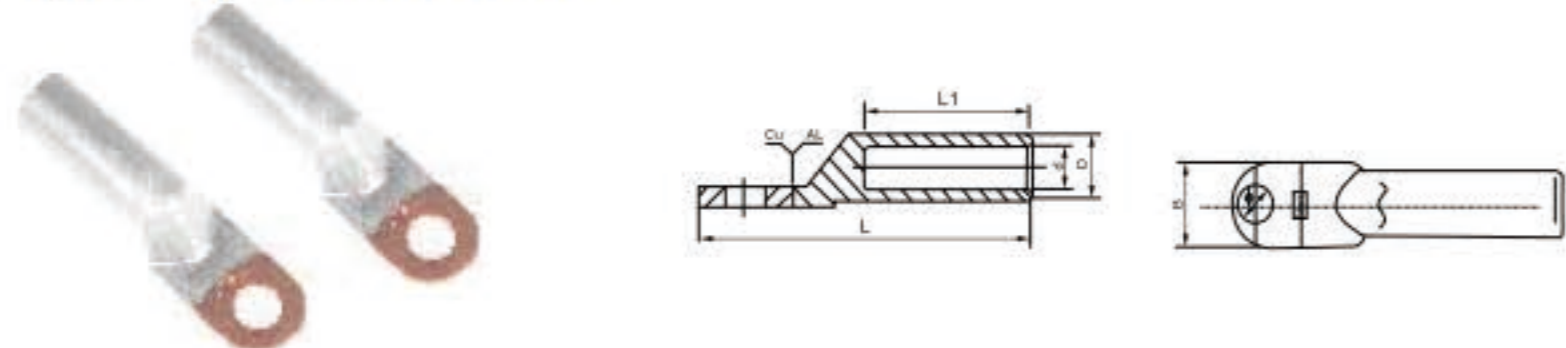
## CABLE LUG

### Description

DTL series of copper-aluminum wiring terminal are suitable for transition of the circular aluminum wires, hemicycle-sector aluminum wire, power supply cable in the distribution equipment and copper terminals of the electrical equipment.

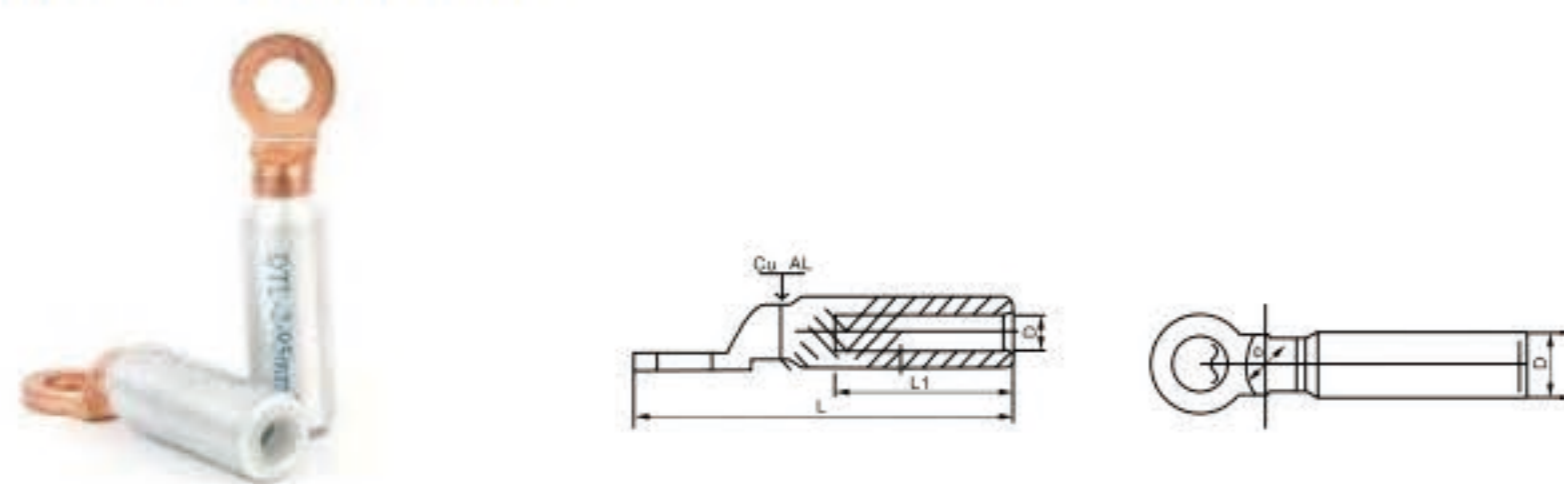
The material of aluminum and copper made L3 and T2.

### CABLE LUG (DTL-1) - BIMETALLIC



Models	Φ	D (mm)	d (mm)	L (mm)	L1 (mm)	B (mm)
DTL-1-10	Ø8.5	10	6	68	28	16
DTL-1-16	Ø8.5	11	6	70	30	16
DTL-1-25	Ø8.5	12	7	75	34	18
DTL-1-35	Ø10.5	14	8.5	85	38	20.5
DTL-1-50	Ø10.5	16	9.8	90	40	23
DTL-1-70	Ø12.5	18	11.5	102	48	26
DTL-1-95	Ø12.5	21	13.5	112	50	28
DTL-1-120	Ø14.5	23	15	120	53	30
DTL-1-150	Ø14.5	25	16.5	126	56	34
DTL-1-185	Ø16.5	27	18.5	133	58	37
DTL-1-240	Ø16.5	30	21	140	60	40
DTL-1-300	Ø21	34	23.5	160	65	50
DTL-1-400	Ø21	38	27	170	70	55
DTL-1-500	Ø21	45	29	225	75	60
DTL-1-630	/	54	35	245	80	80
DTL-1-800	/	60	38	270	90	100

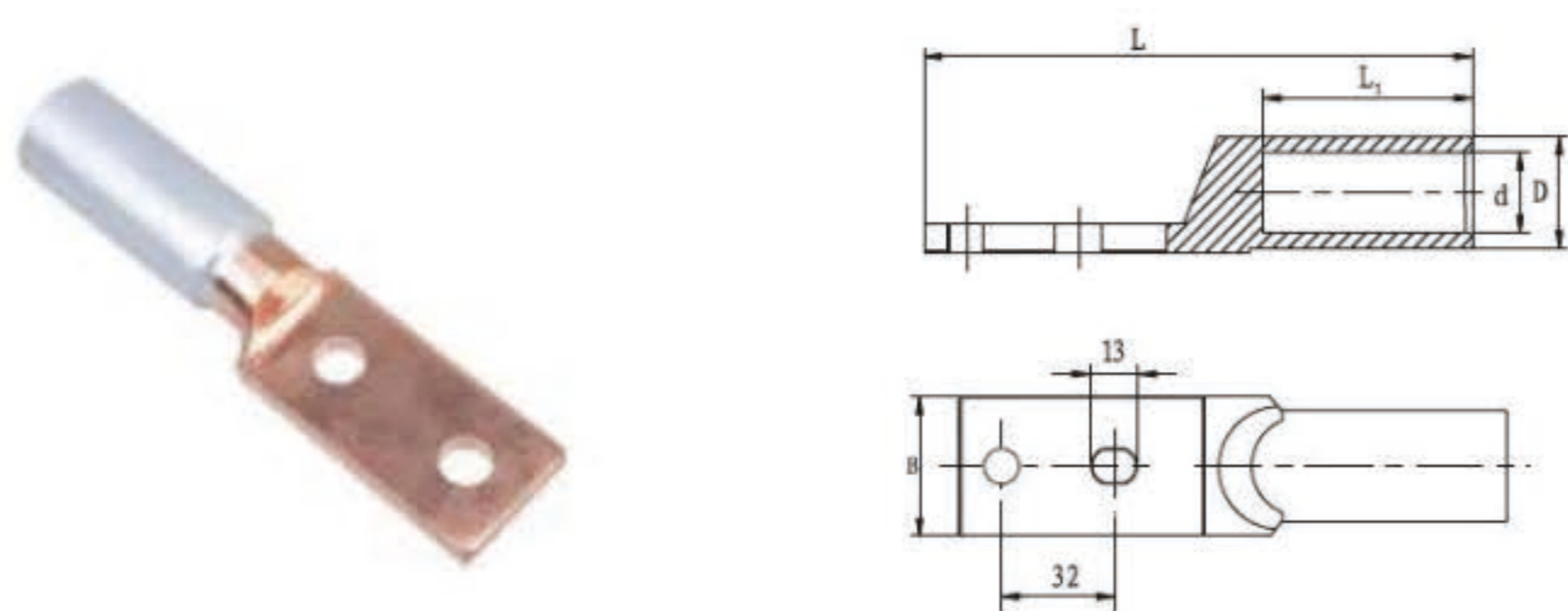
### CABLE LUG (DTL-2) - BIMETALLIC



Models	Φ	D (mm)	d (mm)	L (mm)	L1 (mm)
DTL-2-10	Ø13	16	5.5	87	42
DTL-2-16	Ø13	16	6.5	87	42
DTL-2-25	Ø13	16	8	87	42
DTL-2-35	Ø13	16	9	87	42
DTL-2-50	Ø13	20	11	87	43
DTL-2-70	Ø13	20	12.5	87	43
DTL-2-95	Ø13	20	13.5	87	43
DTL-2-120	Ø13	25	15.5	111	60
DTL-2-150	Ø13	25	17.5	111	60
DTL-2-185	Ø13	32	19.5	116	60
DTL-2-240	Ø13	32	22.5	116	60
DTL-2-300	Ø13	34	23.5	120	62

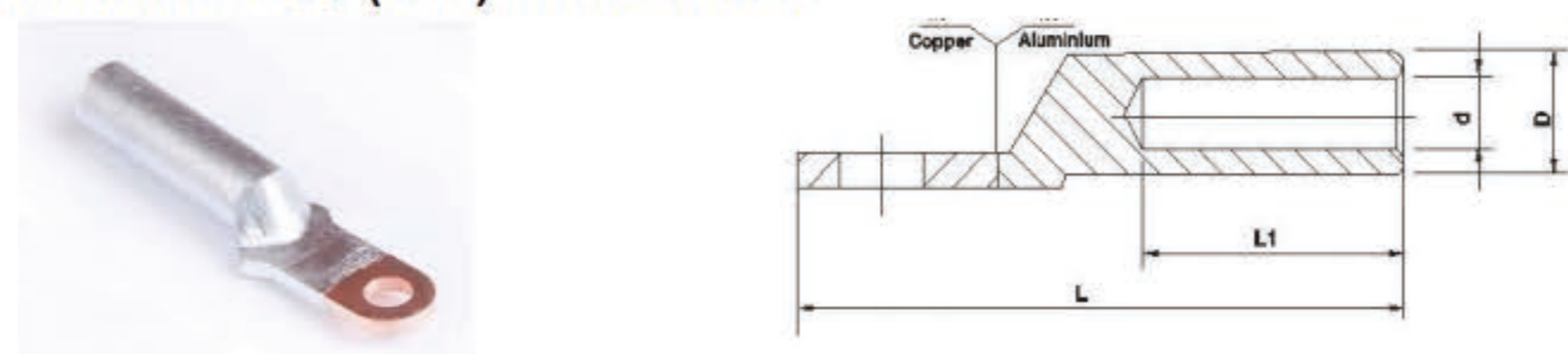
## CABLE LUG

### CABLE LUG (DTL-2S) - BIMETALLIC, TWO HOLE



Models	Dimension				
	d	D	L1	L	B
DTL-2S-35	8.5	16	40	117	22
DTL-2S-50	9.8	16	42	117	22
DTL-2S-70	11.5	18	48	133	28
DTL-2S-95	13.5	21	52	144	28
DTL-2S-120	15	23	53	148	34
DTL-2S-150	16.5	25	56	152	34
DTL-2S-185	18.5	27	58	163	40
DTL-2S-240	21	30	60	168	40
DTL-2S-300	24	34	65	180	50
DTL-2S-400	27	38	70	192	50

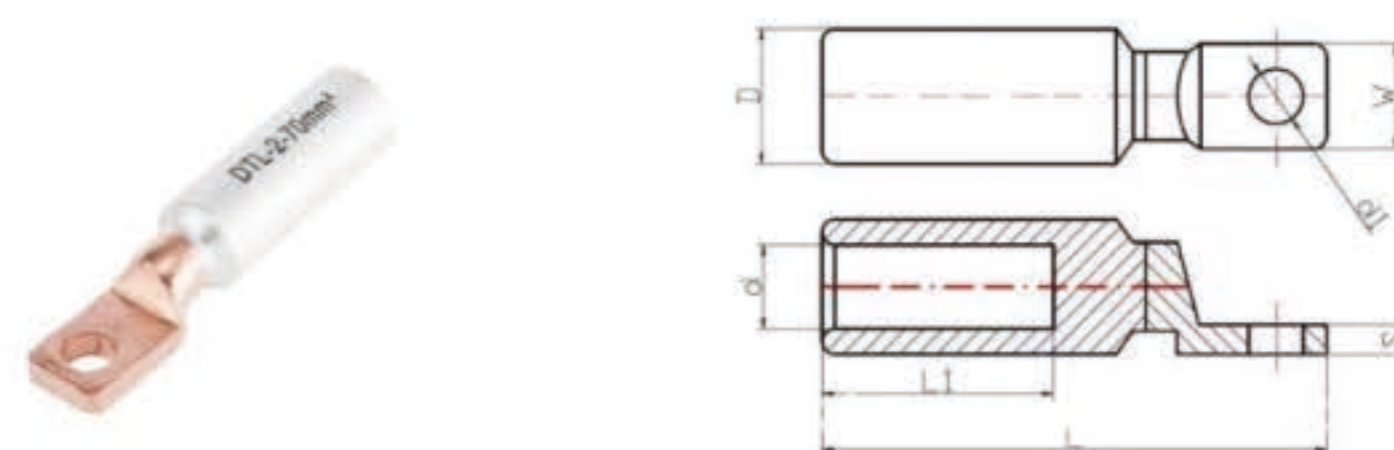
### EUROPEAN CABLE LUG (DTL) - BIMETALLIC



Models	Dimension (mm)					
	Φ	D	d	L	L1	B
DTL-16	8.5	10	5.5	70	32	16
DTL-25	8.5	12	7	75	34	18
DTL-35	10.5	14	8.5	85	40	20.5
DTL-50	10.5	16	9.5	90	42	23
DTL-70	12.5	18	11.5	102	47	26
DTL-95	12.5	21	13.5	112	50	28
DTL-120	14.5	23	15	120	53	30
DTL-150	14.5	25	16.5	126	55	34
DTL-185	17	27	18.8	133	58	37
DTL-240	17	30	21	140	60	40
DTL-300	21	34	23.5	165	65	50
DTL-400	21	38	26.5	170	70	50
DTL-500	21	47	29	225	75	60
DTL-630		54	35	245	80	80
DTL-800		60	38	270	90	100

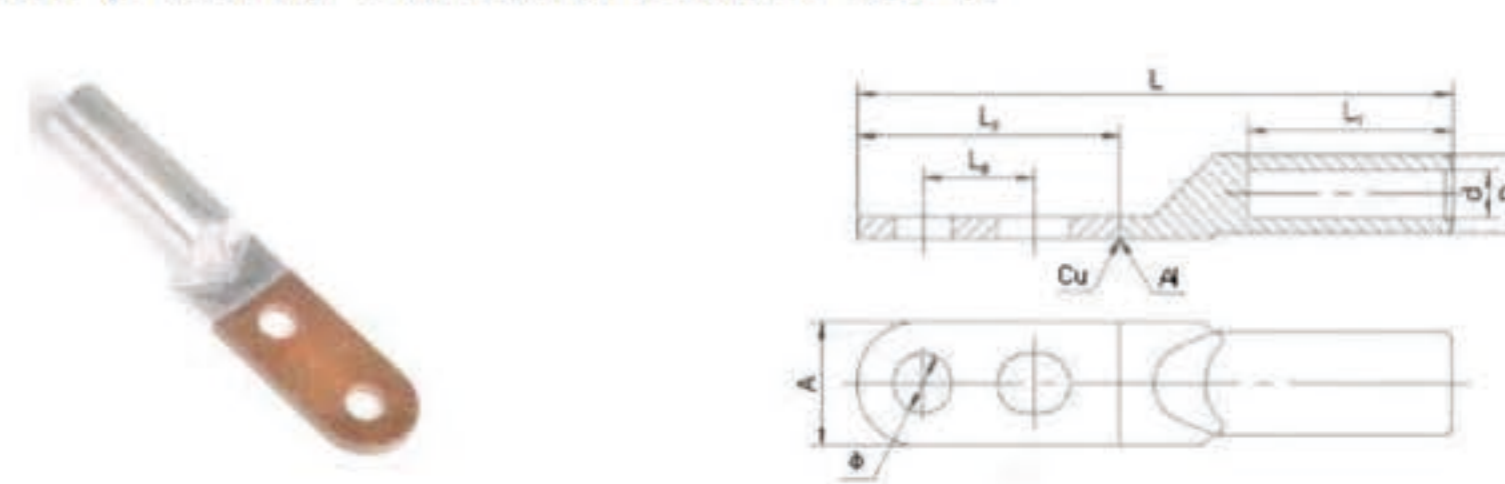
## CABLE LUG

### CABLE LUG (DTL2-S) - BIMETALLIC



Models	DIMENSION (MM)						
	D	d	d1	L	L1	S	W
DTL2-S-10	16	4.5	8.5	87	42	4.2	14
DTL2-S-16	16	5.5	8.5	87	42	4.2	14
DTL2-S-25	16	7	8.5	87	42	4.2	14
DTL2-S-35	16	8.5	8.5	87	42	4.2	14
DTL2-S-50	20	9.5	10.5	100	50	5.2	17
DTL2-S-70	20	11.5	10.5	100	50	5.2	17
DTL2-S-95	20	13	10.5	100	50	5.2	17
DTL2-S-120	25	15	13	120	60	6.2	21
DTL2-S-150	25	16.5	13	120	60	6.2	21
DTL2-S-185	32	18	13	125	60	7.2	25
DTL2-S-240	32	19.5	13	125	60	7.2	25
DTL2-S-300	34	23.5	13	145	65	8	30
DTL2-S-400	40	26	13	150	70	8	32
DTL2-S-500	40	29	13	150	70	8	32

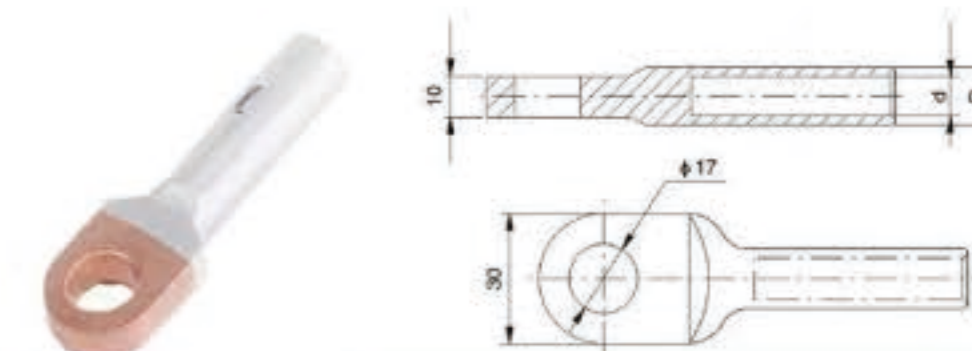
### CABLE LUG (DTL1-R) - BIMETALLIC, TWO HOLE



Models	DIMENSION (MM)							
	A	D	d	L	L1	L2	L3	Φ
DTL1-R-35D	22	14	8.5	116	40	50	25	10.5
DTL1-R-50D	22	16	9.5	119	42	51	25	10.5
DTL1-R-70D	28	18	12	133	48	58	25	10.5
DTL1-R-95D	28	21	13	142	52	59	25	10.5
DTL1-R-120D	34	23	15	159	53	65	35	12.5
DTL1-R-150D	34	25	16	161	56	65	35	12.5
DTL1-R-185D	40	27	18	167	58	71	35	12.5
DTL1-R-240D	40	30	20	171	60	71	35	12.5
DTL1-R-300D	50	34	23	195	65	85	40	14.5
DTL1-R-400D	50	38	26	205	70	85	40	14.5

## CABLE LUG

### EUROPEAN CABLE LUG (DTC) - BIMETALLIC



Models	Dimension (mm)	
	D	d
DTC-630-35	12	9
DTC-630-50	14	10
DTC-630-70	17	12
DTC-630-95	18.5	13.5
DTC-630-120	21	15
DTC-630-150	26	16
DTC-630-185	25	18
DTC-630-240	28.5	20.5
DTC-630-300	31.5	22.5
DTC-630-400	35.5	25.5
DTCL-630-35	14	8.2
DTCL-630-50	16	9.5
DTCL-630-70	18	11.5
DTCL-630-95	21	12.5
DTCL-630-120	23	14
DTCL-630-150	25	15.5
DTCL-630-185	28	17.5
DTCL-630-240	31	19.5
DTCL-630-300	35	22
DTCL-630-400	39	25