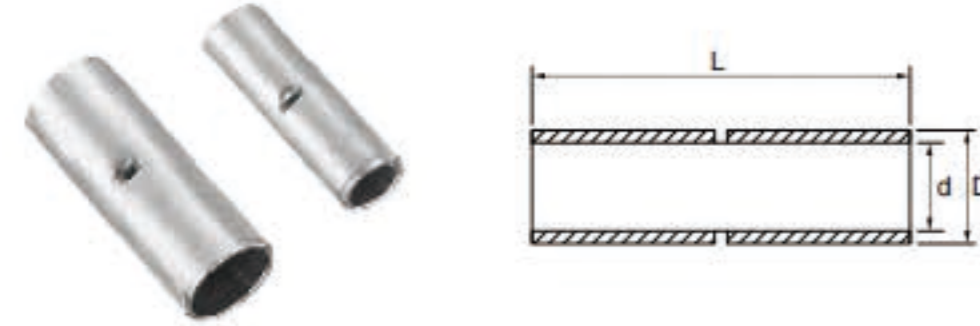


CABLE TUBE

CABLE TUBE (GT) - COPPER TINNED

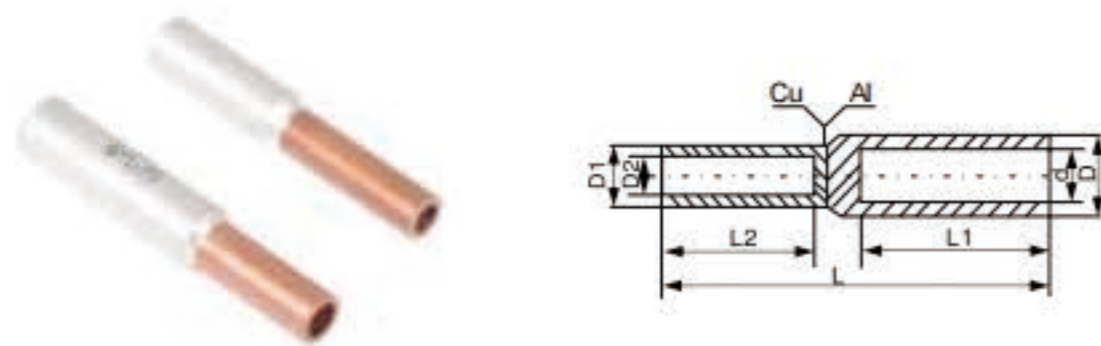


Models	D (mm)	d (mm)	L (mm)
GTY-10	6.8	4.8	30
GTY-16	7.5	5.5	35
GTY-25	9	7	40
GTY-35	10.5	8.2	45
GTY-50	12.5	10	50
GTY-70	14.5	12	55
GTY-95	17	14	60
GTY-120	19	15	65
GTY-150	21	16.5	70
GTY-185	23	19	75
GTY-240	26	21.5	80
GTY-300	30	24	85
GTY-400	34	27	90
GTY-500	38	30	100
GTY-630	45	35	110
GTY-800	50	39	150
GTY-1000	56	44	170

CABLE TUBE (GTL)- BIMETALLIC

Description

Suitable for the connection of copper conductors in distribution equipment. These products are applicable connect the circular wire and hemicycle-sector wire in distribution equipment or power supply cables, GTL series connecting tube is made of friction-welding craft, both top quality.



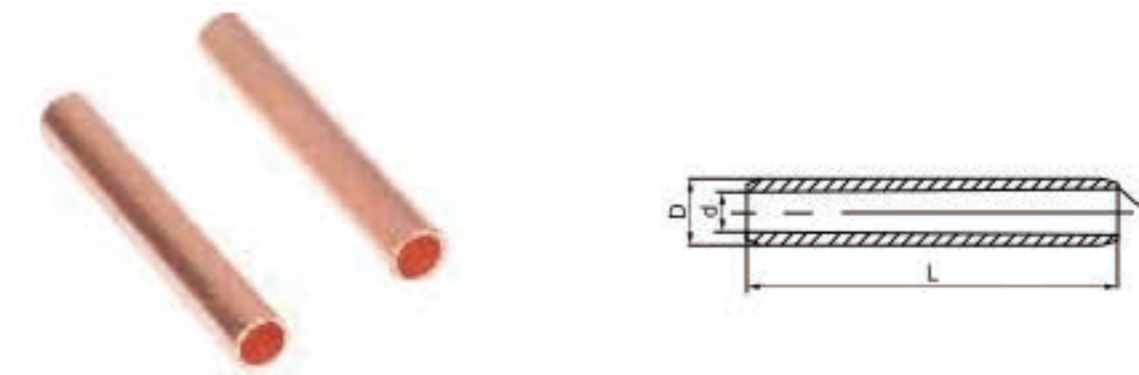
Models	D (mm)	d (mm)	D1 (mm)	L1 (mm)	L2 (mm)	L (mm)
GTL-16	10	6	9	30	30	70
GTL-25	12	7	10	33	30	75
GTL-35	14	8.5	11	40	30	85
GTL-50	16	9.8	13	42	32	95
GTL-70	18	11.5	15	50	38	105
GTL-95	21	13.5	17	50	40	110
GTL-120	23	15	19	55	42	112
GTL-150	25	17	21	55	44	118
GTL-185	27	18.5	23	60	46	125
GTL-240	30	21	26	60	54	130
GTL-300	34	23	28	65	56	145
GTL-400	38	27	30	70	60	155
GTL-500	43	29	34	75	65	165

CABLE TUBE

CABLE TUBE (GT) - COPPER

Material

GT series hole-passing connection tube is made of T2 copper tube.

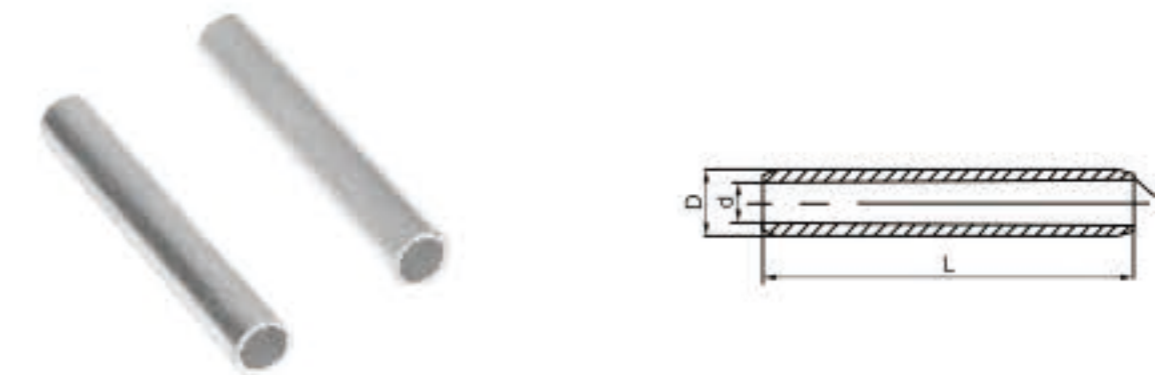


Models	D (mm)	d (mm)	L (mm)
GT-10	8	5	52
GT-16	9	6	56
GT-25	10	7	60
GT-35	11	8	64
GT-50	13	10	72
GT-70	16	12	78
GT-95	18	14	85
GT-120	19	15	90
GT-150	22	17	100
GT-185	24	19	105
GT-240	26	21	110
GT-300	30	24	130
GT-400	34	27	150
GT-500	38	30	170
GT-630	45	35	190

CABLE TUBE (GL) - ALUMINUM

Material

GL series hole-passing tube is made of L3 aluminum tube.



Models	D (mm)	d (mm)	L (mm)
GL-10	9	5	52
GL-16	10	6	56
GL-25	11	7	62
GL-35	12	8	67
GL-50	15	10	76
GL-70	17	11	87
GL-95	19	13	92
GL-120	21	15	98
GL-150	23	17	108
GL-185	25	19	114
GL-240	28	21	118
GL-300	34	24	135