

CABLE LUG

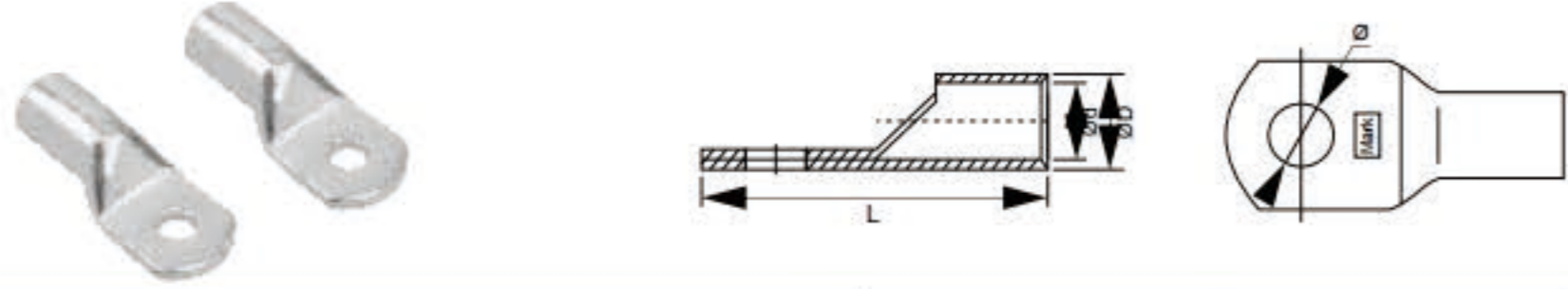
Description

Working temperature: -55°C ~ 150°C.

Material

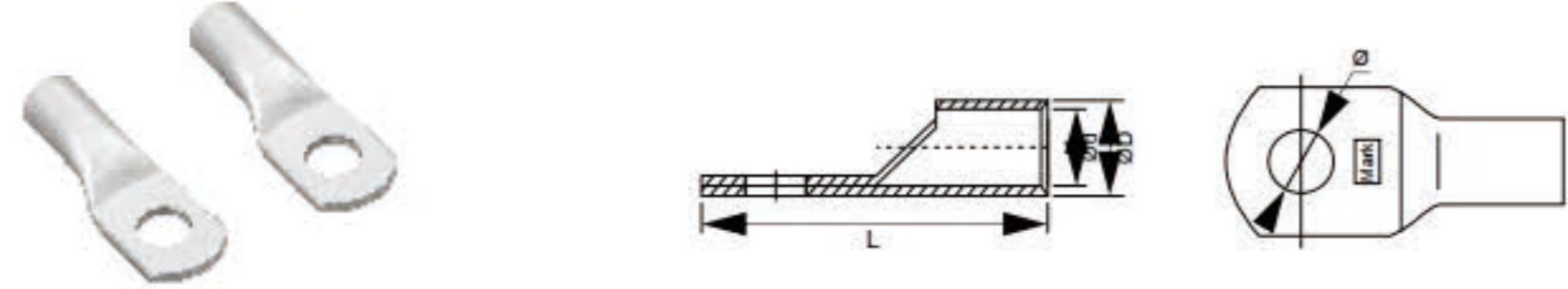
Copper Tinned: 99.9% pure copper tube T2 and with Tinned coating.

CABLE LUG (JG) - COPPER TINNED



Models	Φ	D (mm)	d (mm)	L (mm)
JG-10	Ø6.2, Ø8.5	8	5.4	38
JG-16	Ø6.2, Ø8.5, Ø10.5	9	6.5	41
JG-25	Ø6.2, Ø8.5, Ø10.5	10	7	46
JG-35	Ø6.2, Ø8.5, Ø10.5, Ø12.5	11	8	52
JG-50	Ø8.5, Ø10.5, Ø12.5	13	10	54
JG-70	Ø8.5, Ø10.5, Ø12.5, Ø14.5	16	12	61
JG-95	Ø8.5, Ø10.5, Ø12.5, Ø14.5	18	14	66
JG-120	Ø10.5, Ø12.5, Ø14.5, Ø16.5	19	15	73
JG-150	Ø10.5, Ø12.5, Ø14.5, Ø16.5	22	17	77
JG-185	Ø12.5, Ø14.5, Ø16.5	24	19	86
JG-240	Ø12.5, Ø14.5, Ø16.5	26	21	93
JG-300	Ø16.5, Ø18.5	30	24	103
JG-400	Ø16.5, Ø18.5	34	26	113
JG-500	Ø20.5	38	30	124
JG-630	Ø22.5	45	35	140

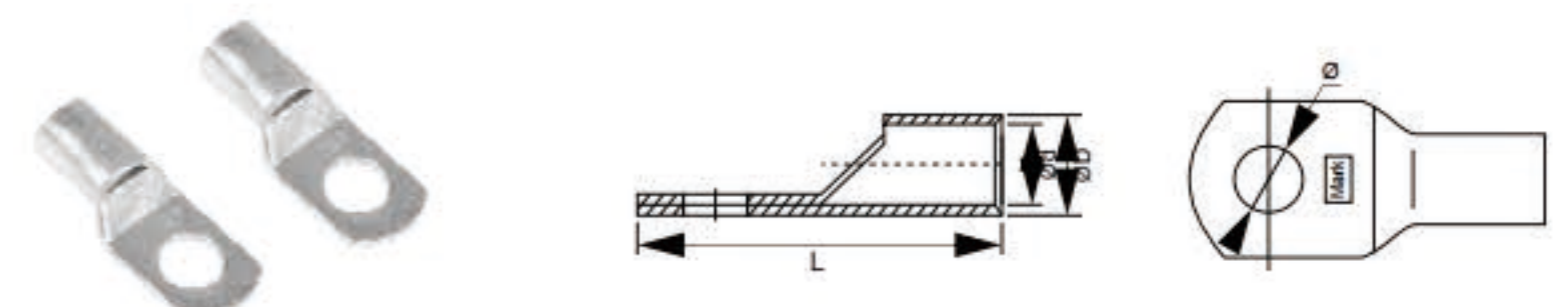
CABLE LUG (JGA) - COPPER TINNED



Models	Φ	D (mm)	d (mm)	L (mm)
JGA-1.5	Ø4.2, Ø5.2	3.5	1.8	18
JGA-2.5	Ø4.2, Ø5.2, Ø6.2	4	2.5	19
JGA-4	Ø5.2, Ø6.2	4.8	3.1	21
JGA-6	Ø5.2, Ø6.2, Ø8.2	5.5	3.8	24
JGA-10	Ø6.2, Ø8.2	6.8	4.8	25.5
JGA-16	Ø6.2, Ø8.2, Ø10.5	7.5	5.5	30.5
JGA-25	Ø6.2, Ø8.2, Ø10.5	9	7	34
JGA-35	Ø6.2, Ø8.2, Ø10.5, Ø12.5	10.5	8.2	38
JGA-50	Ø8.2, Ø10.5, Ø12.5	12.5	9.8	45
JGA-70	Ø8.2, Ø10.5, Ø12.5	14.5	11.5	50
JGA-95	Ø10.5, Ø12.5	17.5	13.8	55.5
JGA-120	Ø10.5, Ø16.5	19.5	15.5	63
JGA-150	Ø12.5, Ø16.5	21	16.5	71
JGA-185	Ø16.5	23.5	18.8	78
JGA-240	Ø16.5	26.5	21	92
JGA-300	Ø16.5, Ø20.5	30	24	102
JGA-400	Ø16.5, Ø20.5	34	26.5	113
JGA-500	Ø16.5, Ø20.5	38	30	123
JGA-630	Ø20.5	45	35	135

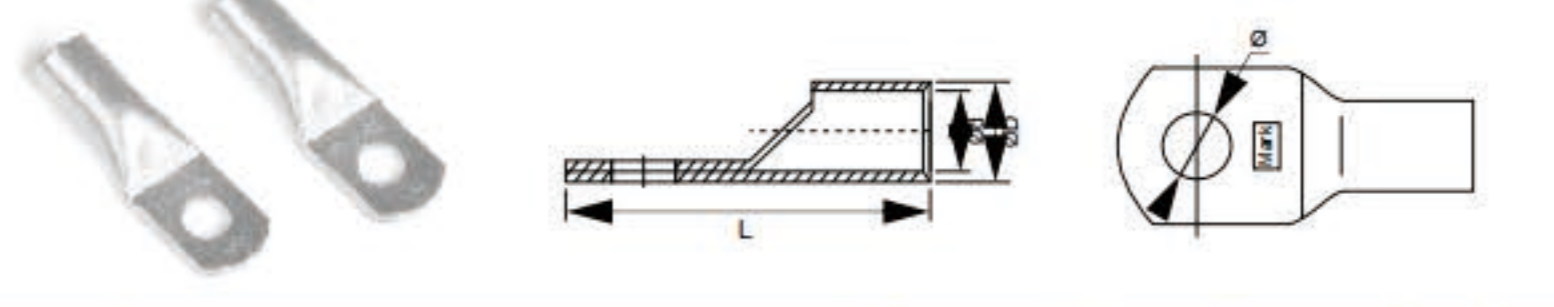
CABLE LUG

CABLE LUG (JGK/SC) - COPPER TINNED



Models	Φ	D (mm)	d (mm)	L (mm)
JGK(SC)-1.5	Ø4.2, Ø5.5	3.5	2.1	18
JGK(SC)-2.5	Ø4.2, Ø5.2, Ø6.2	4	2.6	19
JGK(SC)-4	Ø5.2, Ø6.2	4.8	3.4	21
JGK(SC)-6	Ø5.2, Ø6.2, Ø8.2	6	4.3	24
JGK(SC)-10	Ø6.2, Ø8.2, Ø10.5	6.8	5.2	25.5
JGK(SC)-16	Ø6.2, Ø8.2, Ø10.5	8	6.5	30.5
JGK(SC)-25	Ø6.2, Ø8.2, Ø10.5	9	7.5	34
JGK(SC)-35	Ø6.2, Ø8.2, Ø10.5, Ø12.5	10.5	8.2	38
JGK(SC)-50	Ø8.2, Ø10.5, Ø12.5	12.5	10	45
JGK(SC)-70	Ø8.2, Ø10.5, Ø12.5	14.5	12	50
JGK(SC)-95	Ø8.2, Ø10.5, Ø12.5	17	14	55.5
JGK(SC)-120	Ø10.5, Ø12.5, Ø14.5, Ø16.5	19	15	63
JGK(SC)-150	Ø10.5, Ø12.5, Ø14.5, Ø16.5	21	17	71
JGK(SC)-185	Ø12.5, Ø14.5, Ø16.5	23	19	78
JGK(SC)-240	Ø12.5, Ø14.5, Ø16.5	26	21	92
JGK(SC)-300	Ø16.5, Ø20.5	30	24	102
JGK(SC)-400	Ø16.5, Ø20.5	34	27	113
JGK(SC)-500	Ø16.5, Ø20.5	38	30	123
JGK(SC)-630	Ø20.5	45	35	135

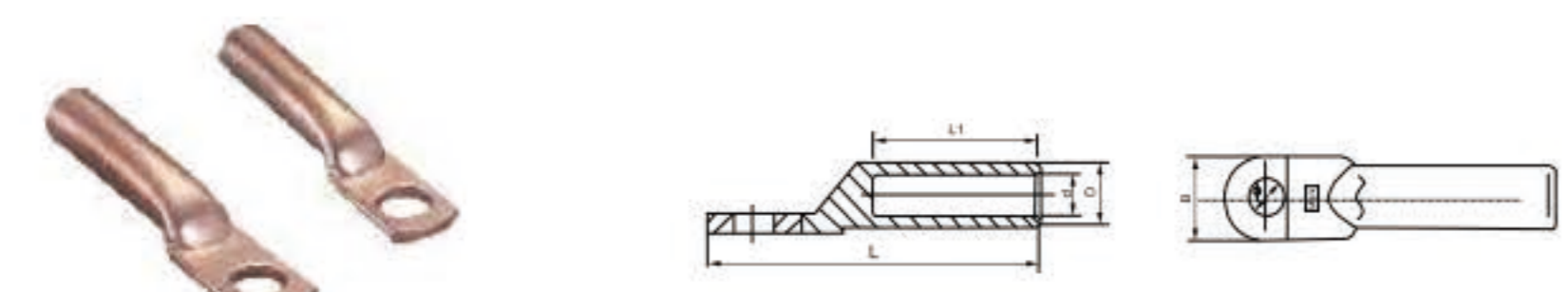
CABLE LUG (AUS) - COPPER TINNED



Models	Φ	D (mm)	d (mm)	L (mm)
AUS-6	Ø5.2, Ø6.2, Ø8.2	5.5	3.8	31.5
AUS-10	Ø6.2, Ø8.2	6	4.5	34.5
AUS-16	Ø6.2, Ø8.2, Ø10.5	8.5	5.5	43.5
AUS-25	Ø6.2, Ø8.2, Ø10.5	10	7	48
AUS-35	Ø6.2, Ø8.2, Ø10.5, Ø12.5	12.5	8.2	52
AUS-50	Ø8.2, Ø10.5, Ø12.5	14.5	10	64
AUS-70	Ø8.2, Ø10.5, Ø12.5	16.5	11.5	68
AUS-95	Ø10.5, Ø12.5	19	13.5	78
AUS-120	Ø12.5, Ø16.5	21	15.5	86
AUS-150	Ø12.5, Ø16.5	23.5	17	94
AUS-185	Ø16.5	25.5	19	101
AUS-240	Ø16.5	29	21.5	111
AUS-300	Ø16.5, Ø20.5	32	24.5	119

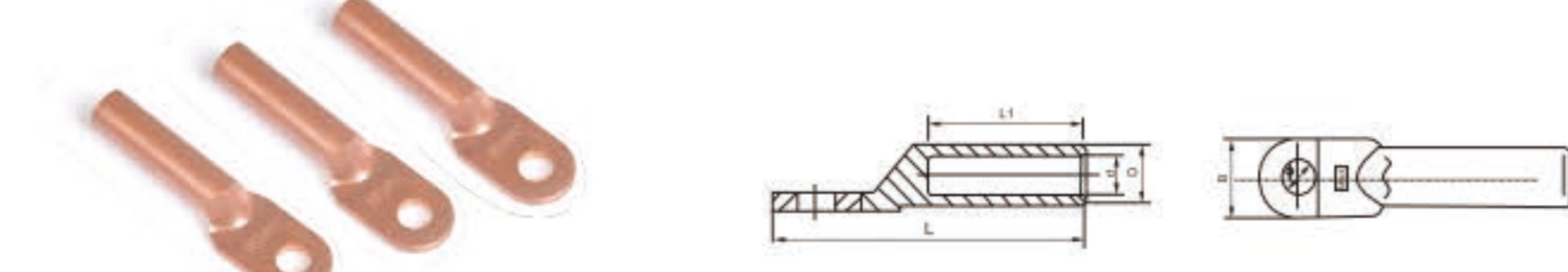
CABLE LUG

CABLE LUG (DTG) - COPPER



Models	Φ	D (mm)	d (mm)	A (mm)	L3 (mm)	L (mm)	L1 (mm)
DTG-16	Ø8.2	9	6	128	25	80	29
DTG-25	Ø8.2	10	7	14.1	25	85	32
DTG-35	Ø8.2	11	8	15.4	25	90	33
DTG-50	Ø8.2	13	10	18.8	25	99	37
DTG-70	Ø12.5	16	12	22.5	35	120	43
DTG-95	Ø12.5	18	14	26	35	125	45
DTG-120	Ø14.5	20	15.2	29	35	134	50
DTG-150	Ø14.5	22	17	31.7	35	139	52
DTG-185	Ø14.5	24	19	34.4	35	150	60
DTG-240	Ø16.5	26	21	37.7	45	160	70
DTG-300	Ø16.5	30	24	43.4	45	164	75
DTG-400	Ø16.5	4	27	49	60	180	80
DTG-500	Ø20.5	38	30	55.5	60	225	90
DTG-630	Ø20.5	45	35	64.7	60	235	105

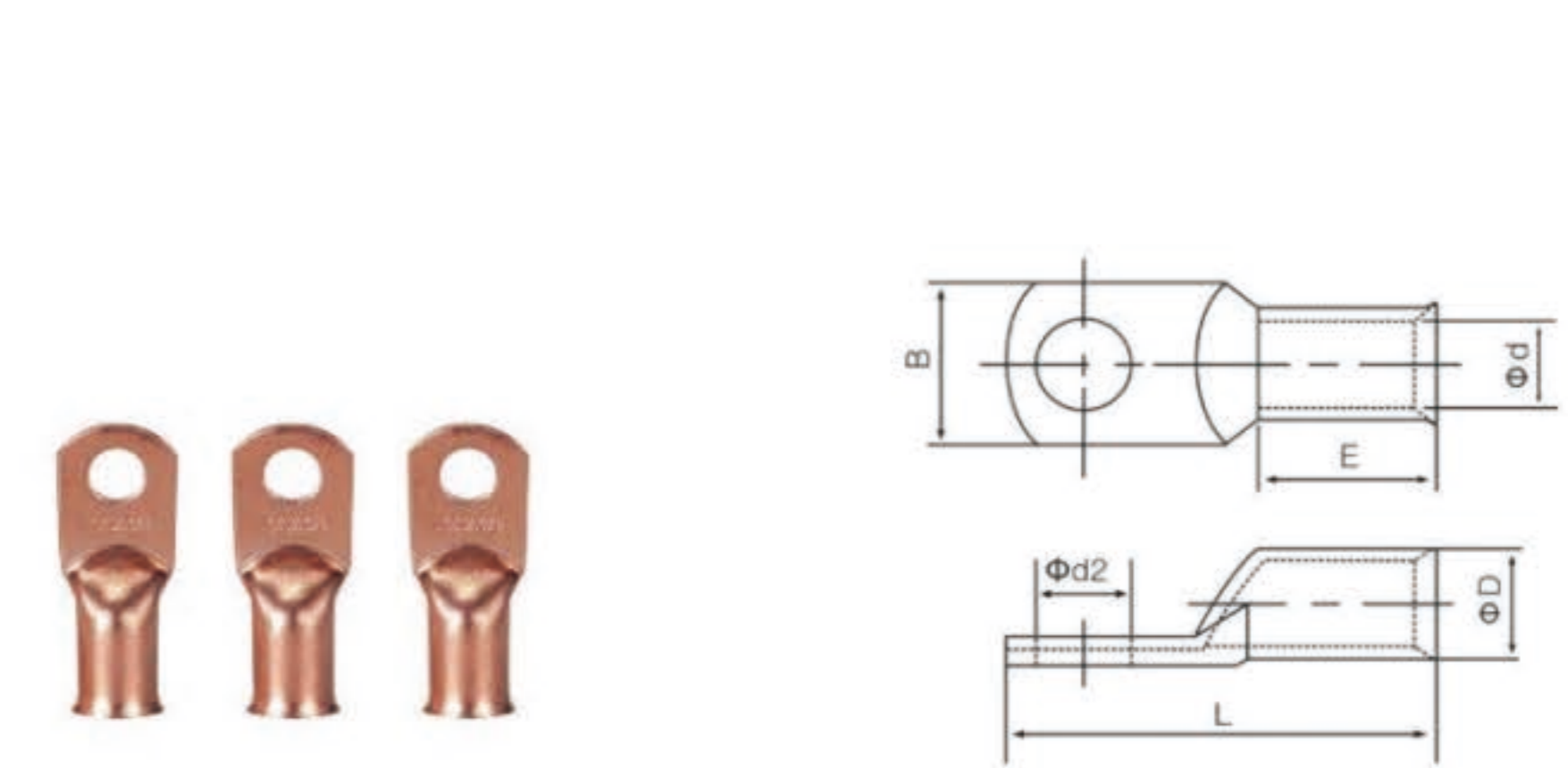
CABLE LUG (DT) - COPPER



Models	Φ	D (mm)	d (mm)	L (mm)	L1 (mm)	B (mm)
DT-10	Ø8.5	9	5.3	62	28	16
DT-16	Ø8.5	10	6.5	68	30	16
DT-25	Ø8.5	11	7	70	33	18
DT-35	Ø10.5	12	8.5	80	36	20.5
DT-50	Ø10.5	14	10	85	38	23
DT-70	Ø12.5	16	11.5	95	43	26
DT-95	Ø12.5	18	13.5	104	46	28
DT-120	Ø14.5	20	15	112	49	30
DT-150	Ø14.5	22	16.5	120	51	34
DT-185	Ø16.5	25	18.5	125	55	37
DT-240	Ø16.5	27	21	136	60	40
DT-300	Ø21	31	23.5	155	66	50
DT-400	Ø21	34	26.5	170	75	50
DT-500	Ø21	38	29	190	75	60
DT-630	Ø21	45	35	220	85	80
DT-800	Ø21	50	38	260	85	100

CABLE LUG

CABLE LUG (AWG) - COPPER



Models	DIMENSION					
	Φ d2	B	L	Φ D	Φ d	E
AWG 8#10	5.1	11.8	33.3	7.1	4.8	13
AWG 8 1/4	6.8	11.8	33.3			
AWG 8 5/16	8.3	11.8	33.3			
AWG 8 3/8	10.4	14.5	33.3			
AWG 8 1/2	13.1	17	33.3	8.1	5.9	15
AWG 6#10	5.1	11.8	37.3			
AWG 6 1/4	6.8	13.7	37.3			
AWG 6 5/16	8.3	13.7	37.3			
AWG 6 3/8	10.4	13.7	37.3	9.5	7.3	15.5
AWG 6 1/2	13.1	17	37.3			
AWG 4 5/16	6.8	13.8	38.9			
AWG 4 3/8	8.3	13.8	38.9			
AWG 4 1/4	10.4	14.5	38.9	11.1	8.5	16
AWG 4 1/2	13.1	17	38.9			
AWG 2 5/16	6.8	16.5	41.1			
AWG 2 3/8	8.3	16.5	41.1			
AWG 2 1/2	13.1	17	41.1	11.7	9.1	16
AWG 1 1/4	6.8	16.4	43.6			
AWG 1 5/16	8.3	16.4	43.6			
AWG 1 3/8	10.4	17.1	43.6			
AWG 1 1/2	13.1	19.1	43.6	13	10.4	19
AWG 1 0 1/4	6.8	18.4	46.8			
AWG 1 0 5/16	8.3	18.4	46.8			
AWG 1 0 3/8	10.4	18.4	46.8			
AWG 1 0 1/2	13.1	21	46.8	14.2	11.7	22
AWG 2 0 1/4	6.8	21	52.4			
AWG 2 0 5/16	8.3	21	52.4			
AWG 2 0 3/8	10.4	21	52.4			
AWG 2 0 1/2	13.1	21	52.4	15.7	13	22.5
AWG 3 0 5/16	8.3	23.1	55.9			
AWG 3 0 3/8	10.4	23.1	55.9			
AWG 3 0 1/2	13.1	23.1	55.9			
AWG 4 0 5/16	8.3	25.8	60.5	17.2	14.2	24
AWG 4 0 3/8	10.4	25.8	60.5			
AWG 4 0 1/2	13.1	25.8	60.5			

CABLE LUG

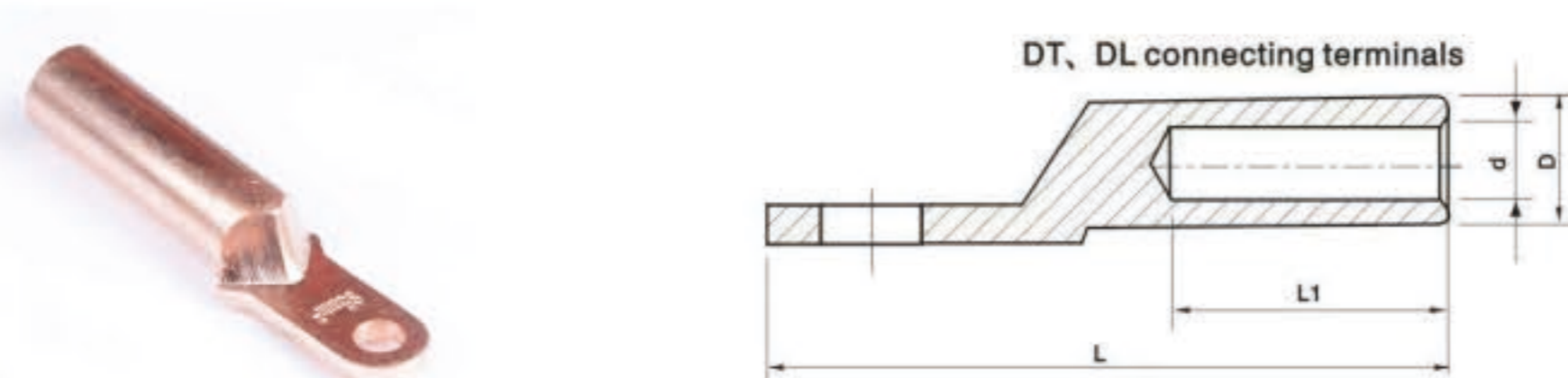
CABLE LUG (OT) - COPPER



Models	Φ	H (mm)	L (mm)	R (mm)	R1 (mm)	A (mm)
OT-10A	Ø5.2	6	14.5	4.5	2	0.8
OT-20A	Ø6.2	7	17	5.5	2.5	1
OT-30A	Ø6.2	8.2	19	5.8	3.2	1.2
OT-40A	Ø6.2	9	19.5	6.2	3.5	1.2
OT-50A	Ø6.2	9	21.5	6.5	3.5	1.2
OT-60A	Ø8.2	10	23	7.8	4	1.4
OT-80A	Ø8.2	11	25	8	4.5	1.5
OT-100A	Ø8.2	12	29	8.5	5	1.5
OT-150A	Ø10.2	12	31	9	5.5	1.6
OT-200A	Ø10.2	14	33	10	6	1.7
OT-250A	Ø10.2	15.5	36	10.5	6.5	2
OT-300A	Ø12.2	16	40	11.5	7	2
OT-400A	Ø12.2	18	43	13	8	2.2
OT-500A	Ø14.2	20	46	14.5	8.5	2.4
OT-600A	Ø16.2	22	50.5	16	10.5	2.8
OT-800A	Ø18.2	26	61	17.5	12.5	3.2
OT-1000A	Ø18.2	33	66	20.5	15.5	3.8

CABLE LUG

EUROPEAN CABLE LUG (DT) - COPPER



Models	DIMENSION (MM)						
	Φ	D	d	L	L1	B	
DT-10	8.5	9	5	68	28	16	
DT-16	8.5	10	6	68	28	16	
DT-25	8.5	11	7	70	34	18	
DT-35	10	12	8.5	80	36	20	
DT-50	10	14	10	90	40	23	
DT-70	12	16	11.5	95	42	26	
DT-95	12	18	13.5	105	46	28	
DT-120	14	20	15	112	48	30	
DT-150	14	22	16.5	120	50	34	
DT-185	17	25	18.5	126	55	37	
DT-240	17	27	21	136	60	40	
DT-300	17	32	23	160	60	50	
DT-400	21	34	26	168	65	50	
DT-500	21	38	29	190	75	60	
DT-630	—	45	35	220	85	80	
DT-800	—	50	38	260	85	100	

CABLE LUG

