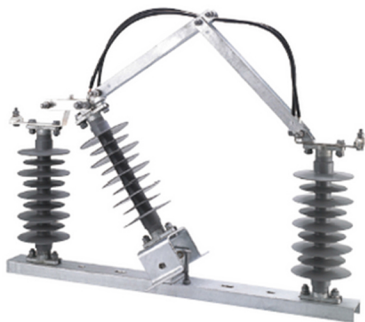


Outdoor High-voltage Switch Disconnecter

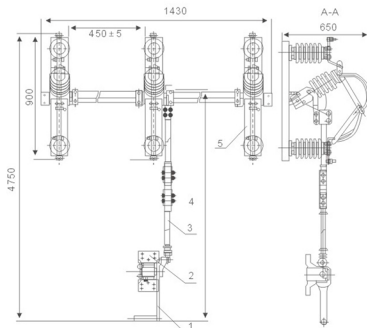
RH-B Series High Voltage Isolating Switch



• Overview

- Outdoor AC switch disconnector 11kv/400A - 33kv/600A used in 3 phase AC 50/60Hz power circuit, it is used as switching on and switching off at the voltage with no load. It apply to IEC standard. IEC60964:1996, IEC62271-102:2002.
- Features:
 - Manufacture according IEC standards.
 - Up to 36KV,900A,200KV BIL.
 - Three phase disconnector.
 - Porcelain and polymer type insulator.
 - Manual and electric drivers.

• Outline dimension



• Technical data

Type	Rated voltage (KV)	Voltage (KV)	Rated current (A)	4S theat steady e.c.A	Impulse voltage		Power frequency withstand voltage	
					To earth (KV)	Across the isolating distance(KV)	To earth(KV)	Across the isolating distance(KV)
RH-B	11	400	12500	31500	75	95	38	42
	24	400	12500	31500	135	155	55	60
	33	600	12500	31500	170	195	70	80