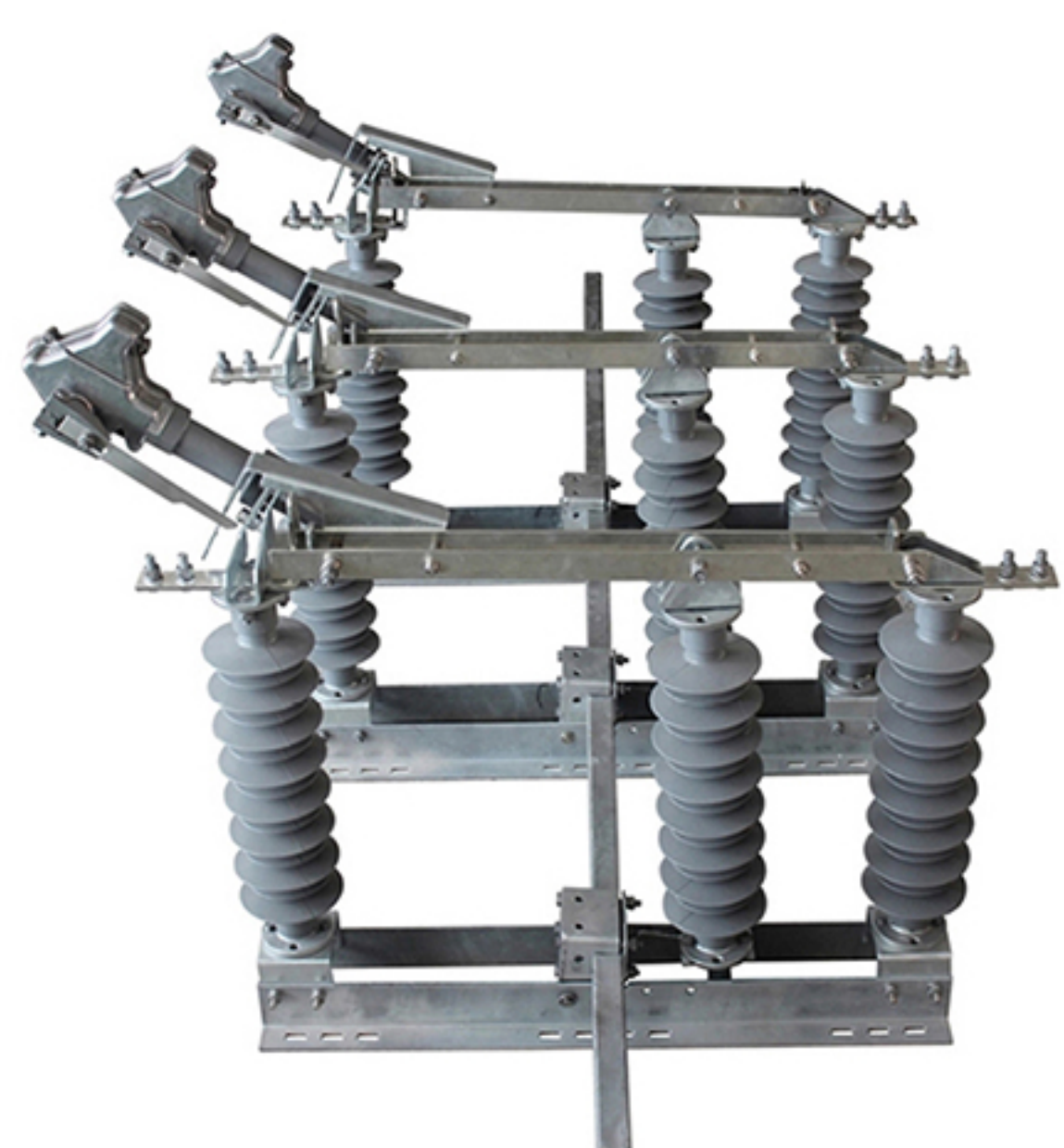


Out-Door Load Break Switch

LBS



General

LBS type Outdoor on load break switch (switch disconnecter) contained in this list are destined to switch stub lines and ring main lines or transformers(It can be equipped with MV HRG fuse links as short circuit protection function) or for switching under on load conditions.

LBS type switch comply with IEC/IEEE and DVE–recommendation standards. Especially comply with DIN VDE 0670 part 3 and IEC publication IEC–60265, IEC–129.

Service Environment

- a) Airtemperature: Maximum temperature: +75°C ; Minimum temperature:–45°C
- b) Humidity: Monthly average humidity 95% ; Daily average humidity 90%.
- c) Altitude above sea level: Maximum installation altitude: 2500m.
- d) Ambient air not apparently polluted by corrosive and flammable gas, vapor etc.
- e) No frequent violent shake.

Features And Benefits

- Compact design
- All steel parts either in stainless steel or hot–dip galvanized
- Solid and stable base frame
- Main contact with icing protection
- Insulators available in porcelain or alternatively in silicone
- Minimal sag for the line–connection thanks to the two fixed terminals
- Completely maintenance antirust AL alloy –Arc chamber
- Switching–off procedure without external arc
- Short circuit making capacity under specific conditions possible
- Fixing on the supporting structure either by clamping (free setting) or screwing (holes in the base frame)
- Easy on–site installation and setting
- High reliability: up to 1'000 cycles (depending on the making current)

Technical Data

Sheet 1

Item	Unit	Data			
Rated voltage	kV	12	24	36	
Rated frequency	Hz	50/60			
Ratedcurrent	A	200/400/630			
Rated short circuit withstand current(IS)	kA	20			
Rated peak withstand current(IS)	kA	50			
Rated making current	kA	31.5–50			
Rated insulation leve(HV)	lightning impulse	75/85	125/145	170/195	
	Power frequency withstand	45	55/75	75/100	
Rated short circuit breaking capacity cos. Φ (0.7) Without maintenance of contacts					
For active circuits	20breakings	A	630	630	400
	30breakings		400	400	300
	40breakings		300	300	250
	50breakings		250	250	170
	75breakings		170	170	160
	120breakings		110	110	110
	200breakings		65	65	65
	280breakings		50	50	50

Out-Door Load Break Switch

LBS

Sheet 2

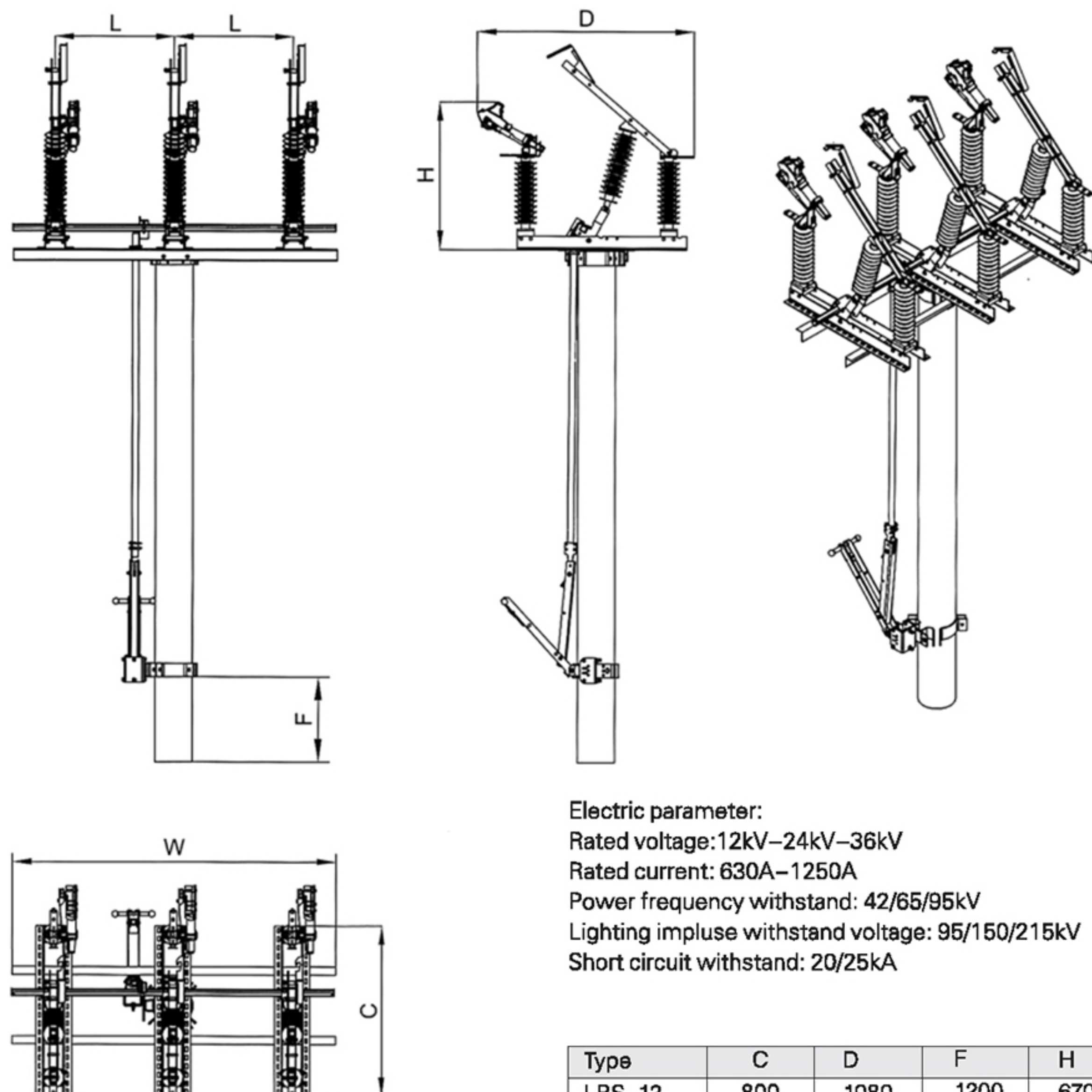
Item	Unit	Data		
Rated voltage	kV	12	24	36
For ring circuits	A	630	400	250
Rated breaking capacity of transformer	A	50		
Rated breaking capacity of cable charging	A	11		
Rated breaking capacity of earthing fault	A	56		

Note: The LBS type on load break switch (Switch disconnecter) is equipped with stored energy released by fuse strike pins. The stored energy mechanism for the opening operation is released by fuse strike pins.

The trip actuator is mounted on top of the fuse contact clip.

The DIN type fuse is held in spring type contacts, secured by a tail lever. All the components are made of stainless steel, to preventcorrosion, have Jong live, and in the reset position. The trip lever is parked in an over–centre position.

Outline Dimenssion



Electric parameter:
 Rated voltage:12kV–24kV–36kV
 Rated current: 630A–1250A
 Power frequency withstand: 42/65/95kV
 Lighting impluse withstand voltage: 95/150/215kV
 Short circuit withstand: 20/25kA

Type	C	D	F	H	L	W
LBS–12	800	1080	1200	670	775	1100
LBS–24	900	1180	1200	770	450	1400
LBS–36	1000	1280	1200	870	700	1900